



Planning & Building Safety Department
 638 Princess Avenue, Brandon MB R7A 0G3
 T: 204.729.2110 F: 204.729.2406
 www.brandon.ca/planning

Conditional Use

Name of Property Owner: Moston House Ltd
 Name of Applicant: Andrew Agencies Ltd.
 Civic Address of Property: 2533 Victoria Ave., Brandon
 Legal Description of Property: Lots 36/38, Block 49, Plan 15

References:

- BAPD Development Plan By-law No. 78/01/04
- Applicable Secondary Plan By-law
- City of Brandon Zoning By-Law No. 6642
- Urban Design Standards and Guidelines

*** Prior to submitting a formal application, the Planning & Building Safety Department strongly recommends that all applicants meet with a Community Planner to complete a pre-application review***

Conditional Use Request:

To allow for an electronic identification sign in the CAR Commercial Arterial Zone.

I undertake to observe and perform all provisions of The Planning Act, the Development Plan, the Zoning By-law, and the provisions of other relevant laws, by-laws or agreements.

Signature of Owner: [Signature] Date: Dec 22/14

Address: Box 639 Virden MB R0M 2C0 E-Mail: robtestlinger@cssionline.com

Home Phone: _____ Cell Phone: _____ Work Phone: 204 748 4803

Signature of Applicant: [Signature] Date: Dec 22/14

Address: as above E-Mail: _____

Home Phone: _____ Cell Phone: _____ Work Phone: _____

The information that you provide will be collected under the authority of the Planning Act and will be used for the purpose of approving this application. Information is also being collected for the purpose of providing reports to interested parties. If you have any questions about the collection and use of this information, please contact the City of Brandon Planning & Building Safety Department, 638 Princess Avenue, Brandon, MB R7A 0G3. Telephone 204-729-2110.

FOR PLANNING DEPARTMENT USE ONLY			
Community Planner: <u>[Signature]</u>	Planning File No. <u>C-01-15-B</u>	CityView No.: <u>2015-14</u>	
Date of Application Received: <u>Jan. 30/15</u>	Payment Date: <u>Jan. 30/15</u>	Receipt No.: <u>2015-2544</u>	Amount: <u>\$260.00</u>
City of Brandon, Manitoba		5/10/14	



Letter of Authorization

Date: Dec 22, 2014

To: City of Brandon
Planning & Building Safety Department
638 Princess Avenue
Brandon, MB
R7A 0P3

RE: 2533 Victoria Ave (address or legal description of application)

(We) hereby give authorization to:

Andrew Agencies Ltd. (Applicant's name)

To apply for: Development application for the above address.

Registered Owner(s) on the Current Status of Title or Certificate of Title:

<u>Moston House Ltd.</u>	per: <u>[Signature]</u>	<u>Dec 22, 2014</u>
Name (Print)	Name (Signed)	Date
_____	_____	_____
Name (Print)	Name (Signed)	Date
_____	_____	_____
Name (Print)	Name (Signed)	Date
_____	_____	_____
Name (Print)	Name (Signed)	Date



Cardinal SIGNS INC.

335 Park Ave. E. Brandon, MB. R7A 7A4

Ph: (204)728-0865 Fax: (204)726-1806

Office E-mail: cardinal1@mts.net Art Dept: cardinal@mts.net

January 30, 2015

City of Brandon Planning & Building Safety Department
638 Princess Avenue
Brandon, MB
R7A 0P3

Dear Mr. Mok,

Andrew Agencies Ltd is looking to install a new automated message system at 2533 Victoria Avenue, Brandon; Lots 36/38, Block 49, Plan 15.

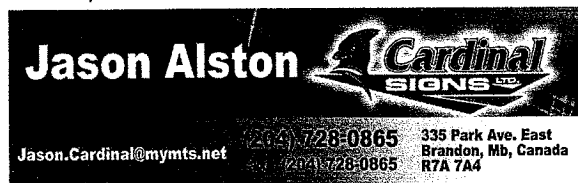
This double sided system is being attached to a permanently fixed structure that is going to advertise for the onsite business to pedestrian and vehicular traffic on Victoria Avenue and 26th street. This system has automatic dimming technology in reduced light and will not have any 'flashing' content so as to reduce any and all distractions to traffic.

All all surrounding properties are commercial zoned and have businesses operating on them with the exception of the property directly to the north which is residential. The site line to this resident's is over 60 degree away from the direction this system will be pointing. Because of this, this property will not be affected by any direct ambient light.

This system will not have any detrimental effects to the health or general welfare to people living or working in the surrounding area, nor will it have any negative effect to the properties themselves or their potential development. It is generally consistent with the applicable by-laws.

If you have any questions or we can be of assistance, please feel free to contact us at the information below.

Thank you,



- ILLUMINATED NEON, PLASTIC SIGNS & CANOPIES • COMMERCIAL SIGNS
- SHOW CARDS, POSTERS • TRUCK & WINDOW LETTERING • MAGNET SIGNS • SILK SCREENING-DECALS
- PERMA STAMPS-RUBBER STAMPS

NOTES:

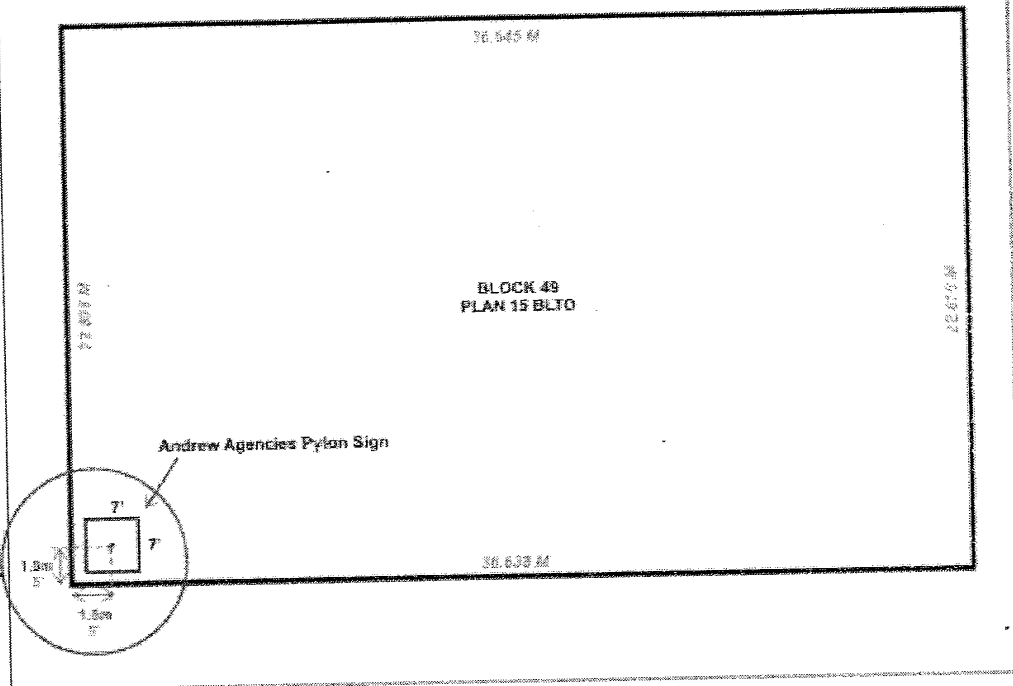
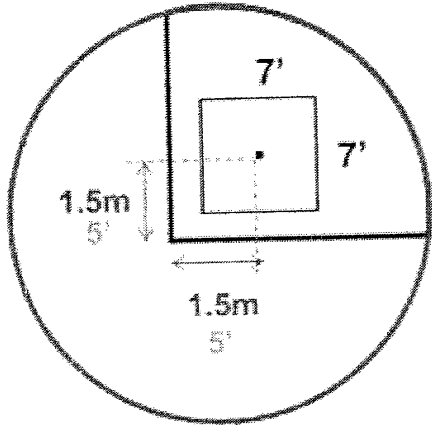
2533 Victoria Ave.

1st proposal please note the bottom of the sign is 2.75 m above grade

RECEIVED
JAN 15 2015
Approved

Pg. 1 of 3

AM



26TH ST.

PUBLIC LANE

VICTORIA AVENUE



SALES • SERVICE • RENTALS
www.cardinalsignsltd.com

335 Park Ave. East
Brandon, Mb. R7A 7A4

Ph: (204)728-0865
Fx: (204)726-1806

EMAIL
cardinal1@mts.net

ART DEPT
cardinal@mts.net

- ILLUMINATED SIGNS:
- Freestanding
 - Canopies
 - Awnings
 - Neon
 - LEDs
 - Channel Letters
 - LED Animation

- DIGITAL PRINTING:
- Banners
 - Decals
 - Posters
 - Wall Murals

- COMMERICAL:
- Computerized Routing
 - Screen Printing
 - Window Graphics
 - Vehicle Wraps
 - Bus Bench Rentals
 - Highway Billboards
 - Wide Format Digital Printing
 - Logo & Graphic Design

Westman's ONLY Certified LED MFG.

Colors in this proof are for artistic representation only. Each computer monitor is calibrated differently and accurate colors cannot be viewed on your screen.

SKETCH OR COPY APPROVAL

- In Person Via Phone
 Via E-mail Via Fax

DATE: _____

BY: _____

NOTATION REQUIRED: →

PLEASE "X" ONE

APPROVED

CHANGES



NOTES: **OPTION 1**



SALES • SERVICE • RENTALS
www.cardinalsignsltd.com

335 Park Ave. East
Brandon, Mb. R7A 7A4

Ph: (204)728-0865
Fx: (204)726-1806

EMAIL
cardinal1@mts.net

ART DEPT.
cardinal@mts.net

ILLUMINATED SIGNS:

- Freestanding
- Canopies
- Awnings
- Neon
- LEDs
- Channel Letters
- LED Animation

DIGITAL PRINTING:

- Banners
- Decals
- Posters
- Wall Murals

COMMERICAL:

- Computerized Routing
- Screen Printing
- Window Graphics
- Vehicle Wraps
- Bus Bench Rentals
- Highway Billboards
- Wide Format Digital Printing
- Logo & Graphic Design

Westman's ONLY Certified LED MFG.

6'x7' Cube Sign
5x5



Andrew Agencies Logo:
PMS 308 Teal PMS 3535 Beige
Oracal 541 Dark Turquoise
3630-149 Light Beige

BIP Logo:
PMS 248 Magenta
3630-118 Intense Magenta

Colors in this proof are for artistic representation only. Each computer monitor is calibrated differently and accurate colors cannot be viewed on your screen.

SKETCH OR COPY APPROVAL

DATE: _____

BY: _____

- In Person
- Via Phone
- Via E-mail
- Via Fax

ACTION REQUIRED: →

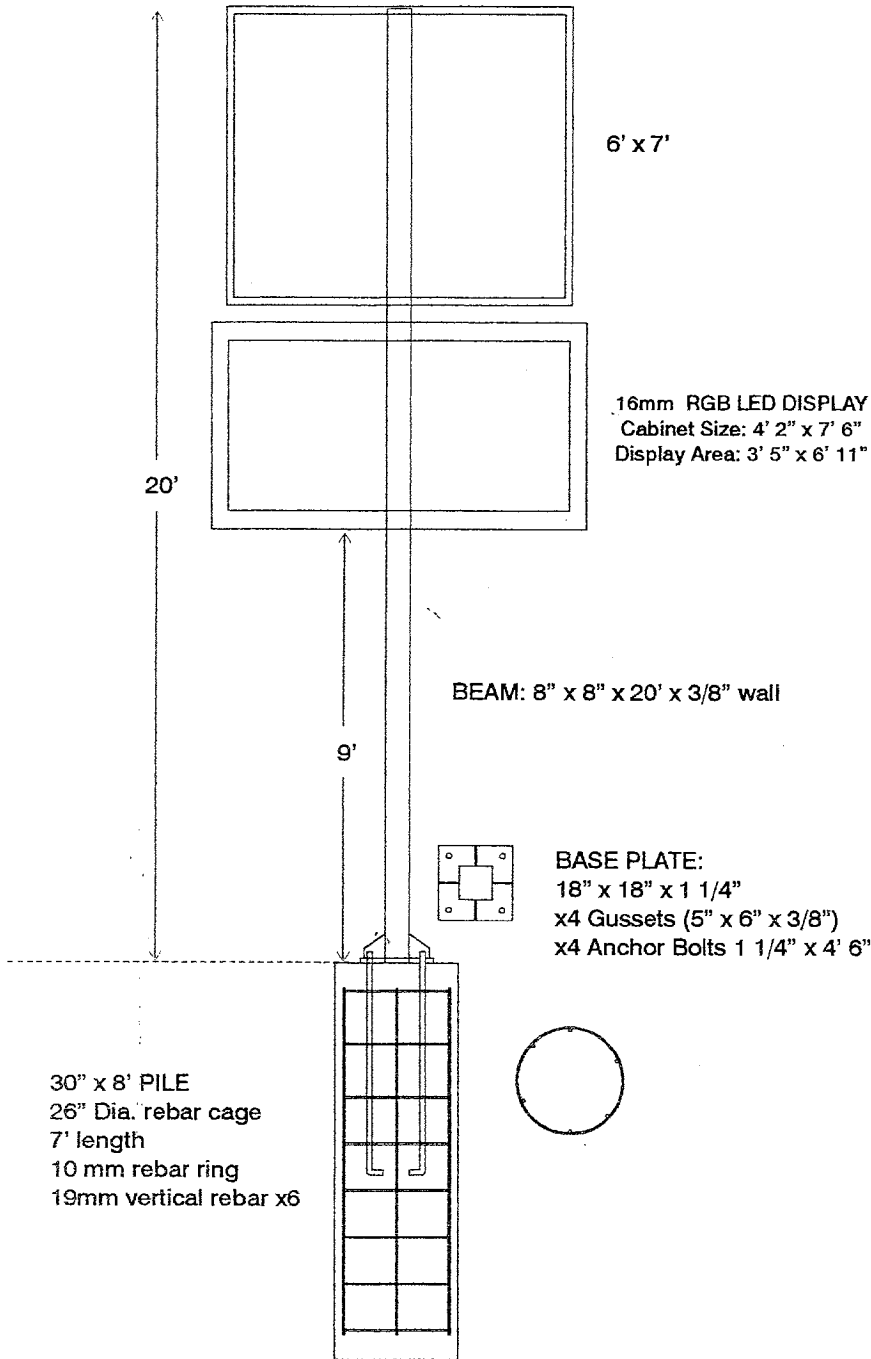
PLEASE "X"
ONE

APPROVED

CHANGES



NOTES: A



Cardinal
SIGNS
 LTD.
 SALES - SERVICE - RENTALS
 www.cardinalsigns.net

335 Park Ave. East
 Brandon, Mb. R7A 7A4

Ph: (204)728-0865
 Fx: (204)728-1806

EMAIL
 cardinal1@mts.net

ART DEPT.
 cardinal@mts.net

ILLUMINATED:

- Freestanding
- Canopies
- Awnings
- Neon
- LEDs
- Channel Letters
- LED Animation

DIGITAL PRINTING:

- Banners
- Decals
- Posters
- Wall Murals

COMMERCIAL:

- Computerized Routing
- Screen Printing
- Window Graphics
- Vehicle Wraps
- Bus Benches
- Hwy Billboards
- Wide Format Digital Printing
- Logo & Graphic Design

Westman's
ONLY
Certified
LED MFG.



Colors in this proof are for artistic representation only. Each computer monitor is calibrated differently and accurate colors cannot be viewed on your screen.

SKETCH OR COPY APPROVAL

In Person Via Phone

DATE: _____ BY: _____

Via E-mail Via Fax

ACTION REQUIRED: →

PLEASE "X"
 ONE

APPROVED

CHANGES



6' x 7'

SIDE PROFILE

East & West

North & South



SALES • SERVICE • RENTALS
www.cardinalsignsltd.com

335 Park Ave. East
Brandon, Mb. R7A 7A4

Ph: (204)728-0865
Fx: (204)726-1806

EMAIL
cardinal1@mts.net

ART DEPT.
cardinal@mts.net

ILLUMINATED SIGNS:

- Freestanding
- Canopies
- Awnings
- Neon
- LEDs
- Channel Letters
- LED Animation

DIGITAL PRINTING:

- Banners
- Decals
- Posters
- Wall Murals

COMMERICAL:

- Computerized Routing
- Screen Printing
- Window Graphics
- Vehicle Wraps
- Bus Bench Rentals
- Highway Billboards
- Wide Format Digital Printing
- Logo & Graphic Design

Westman's **ONLY** Certified LED MFG.

SKETCH OR COPY APPROVAL

- In Person Via Phone
 Via E-mail Via Fax

DATE: _____

BY: _____

ACTION REQUIRED: →

PLEASE "X"
ONE

APPROVED

CHANGES



Colors in this proof are for artistic representation only. Each computer monitor is calibrated differently and accurate colors cannot be viewed on your screen.